

RIO series

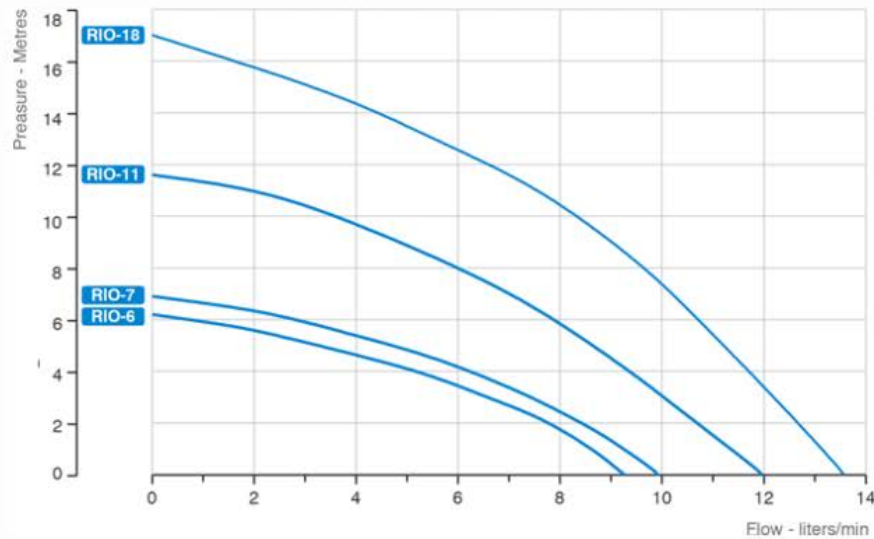
Home / Agitator Pumps / RIO series

RIO series represents innovative, highly efficient and reliable pumps, with **extremely compact** dimensions and long life expectancy. These motor-pumps are designed for internal **or external installation**. The complete encapsulation of the motor guarantees the **full protection** of the windings from dampness.

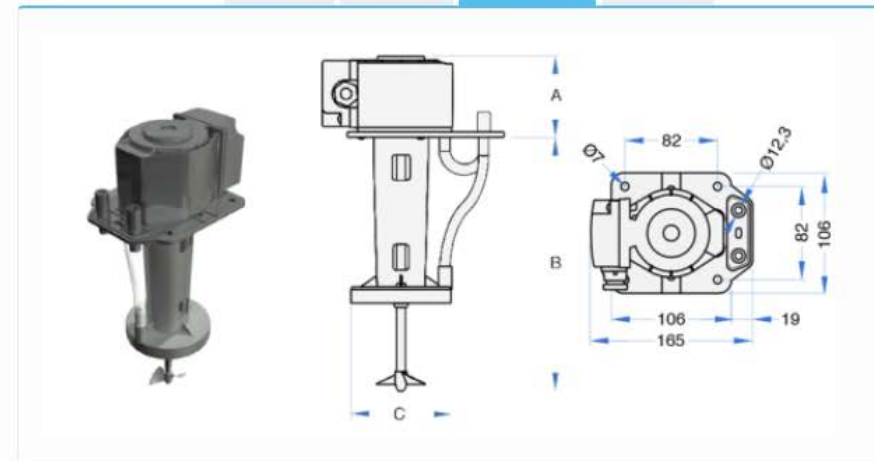
[>> Request Technical Details](#)

[>> Power cords available](#)

[>> Technical specification](#)



FIXING PLATES [mm]: 140x110 106x106 **106x106 JG** 150x120



TYPE	Volt	Hz	Amp	Watt	Rpm	A	B	C	Propeller Ø (mm)	Weight
RIO-6	230	50	0,18	45	2800	75	185	78	50 2 Blades 15°	1,45
RIO-7	230	50	0,20	48	2800	75	220	90	50 2 Blades 15°	1,50
RIO-11	230	50	0,35	77	2800	85	210	90	50 2 Blades 15°	1,90
RIO-18	230	50	0,52	104	2800	100	200	90	50 2 Blades 15°	2,40

Performance and electrical data has been tested at 0°C with clean water only.