

BEER TOWER

U type

U6-100

polished stainless steel

U6-200

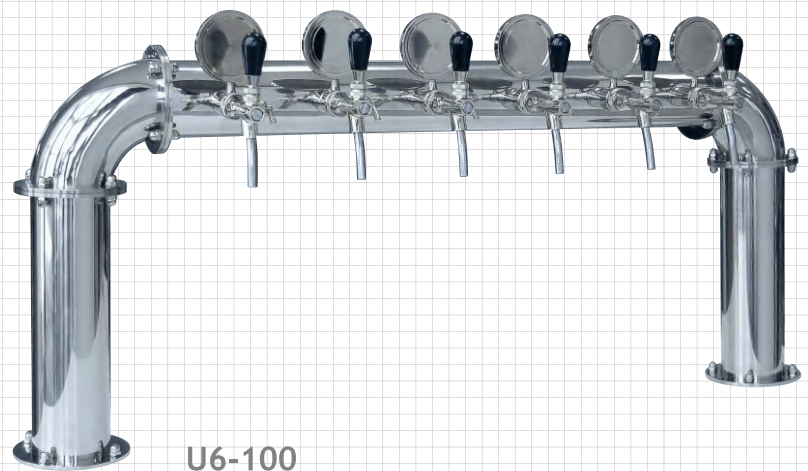
PVD(gold) plated st. steel

U6-300

Cooper coated st. steel

with st. steel tubes
(7x8, 10x11 mm)
or plastic tubes
(6,7x9,5, 9,5x12,7 mm)

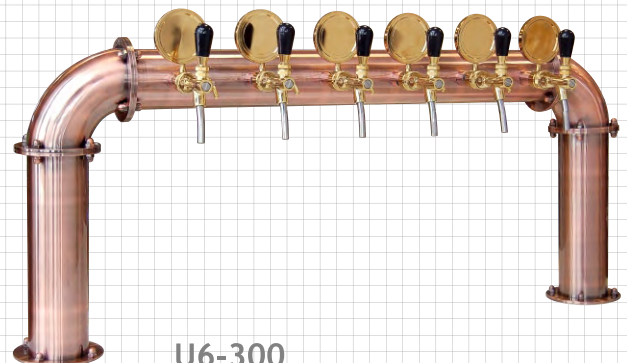
with recirculation
(7x8 or 6,7x9,5 mm)



U6-100



U6-200

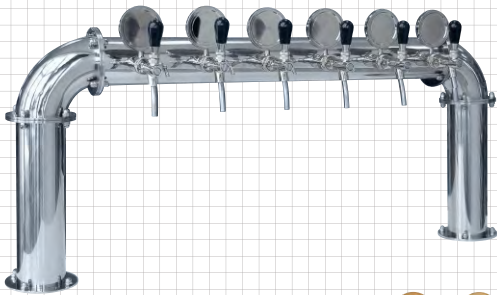


U6-300

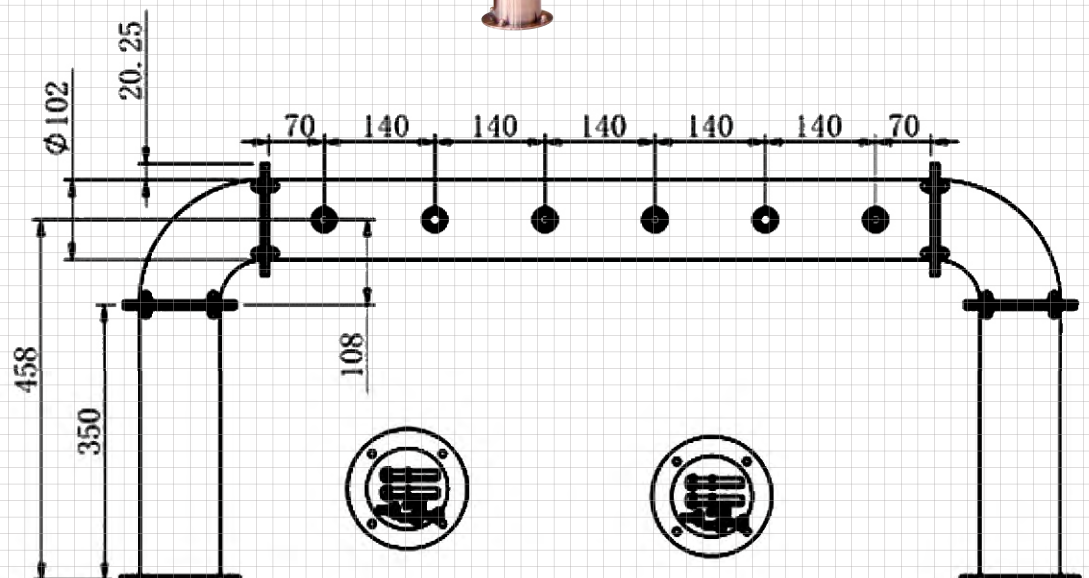
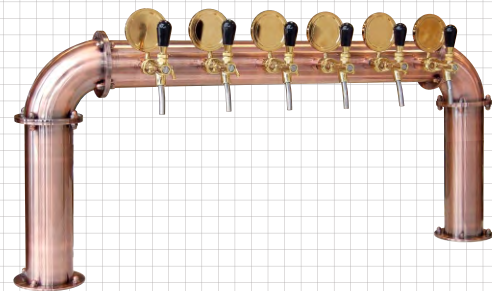
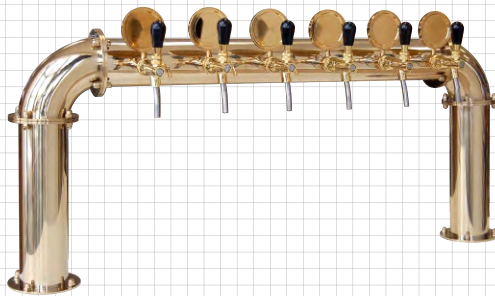
tap connection 5/8"
with mounting fittings 1"G

BEER TOWER

U type



- U6-101 polished st. steel, tubes 7x8 mm + rec.
- U6-201 PVD plated st. steel, tubes 7x8 mm + rec.
- U6-301 cooper coated st. steel, tubes 7x8 mm + rec.



Optional:
LED illuminated badge holders

